

iDS-9600NXI-I8/S (C) DeepinMind Series NVR

Key Feature

- H.265+/H.265/H.264+/H.264 video formats
- Intelligent analytics based on deep learning algorithm
- Up to 24-ch perimeter protection
- Up to 16/32/64-ch IP cameras can be connected
- 8 SATA interfaces (up to 10 TB capacity for each HDD)
- Up to 16-ch 1080p decoding capability



Professional and Reliability

- H.265+ compression effectively reduces the storage space by up to 75%
- Dual-stream recording saves bandwidth
- Adopt stream over TLS encryption technology which provides more secure stream transmission service
- Support double verification for playback and downloading

HD Video Output

- Provide independent HDMI and VGA outputs
- HDMI video output at up to 4K resolution

Storage and Playback

- 8 SATA interfaces (up to 10 TB capacity for each HDD)
- Up to 16-ch synchronous playback

Smart & POS Function

- Support multiple VCA (Video Content Analytics) events
- Configurable special camera smart functions, such as VCA detection (motion, line crossing, intrusion, etc.), heat map, ANPR (Automatic Number-Plate Recognition), and people counting
- POS information overlay on live view and playback, and POS triggered recording and alarm



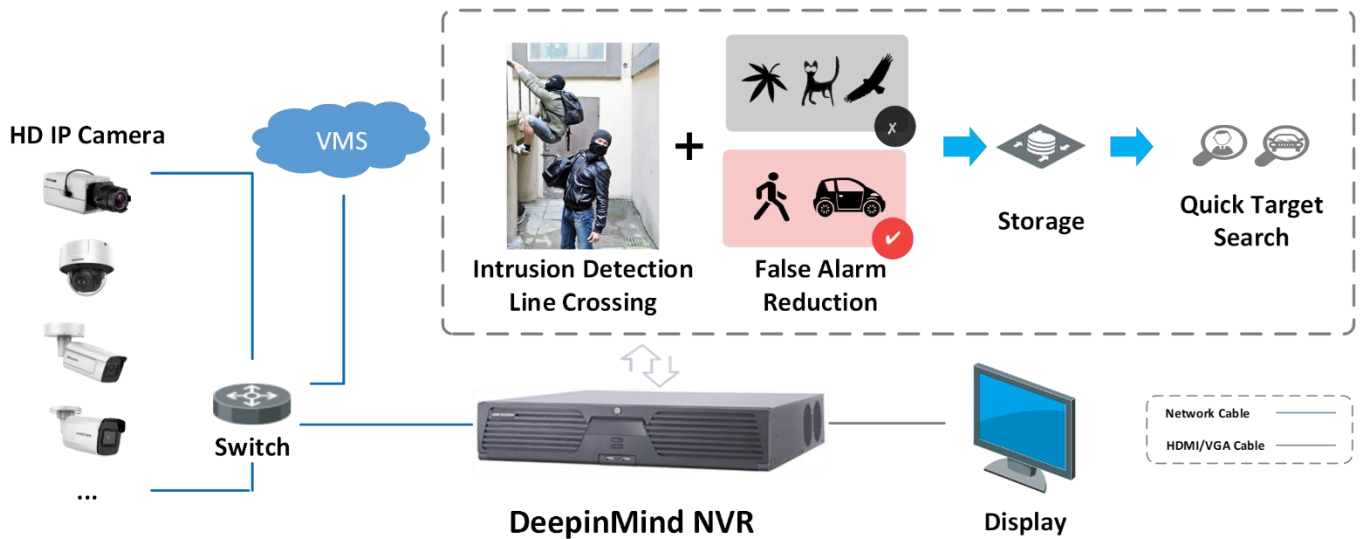
Network & Ethernet Access

- 2 self-adaptive 10/100/1000 Mbps Ethernet interfaces
- Hik-Connect & DDNS (Dynamic Domain Name System) for easy network management
- Smooth streaming technology
- Support web access without plug-in

Typical Application

Perimeter Protection

Adopt deep learning algorithm to reduce false alarm, effectively reduces the false alarm caused by tree branches, leaves, shadow, light, vehicles, small animals, etc.

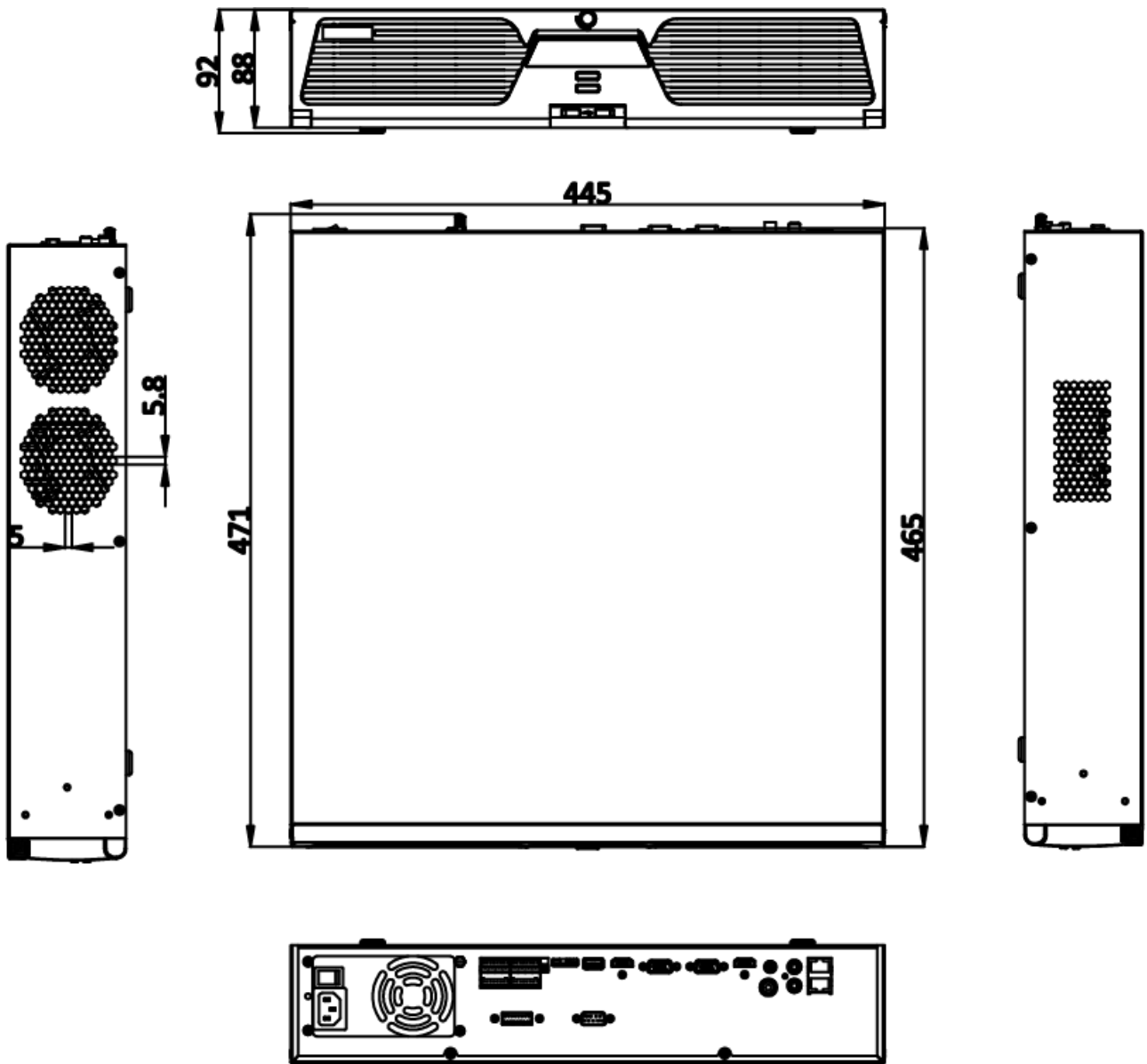


Specification

Model	iDS-9616NXI-I8/S	iDS-9632NXI-I8/S	iDS-9664NXI-I8/S
Perimeter Protection			
False alarm reduction	Up to 16-ch 4 MP (HD network camera, up to 8 MP, H.264/H.265) video analysis for human and vehicle recognition to reduce false alarm		
Video and Audio			
IP video input	16-ch	32-ch	64-ch
	Up to 12 MP resolution *: 32 MP and 24 MP is only available for channel 1 when ultra HD resolution mode is enabled.		
Incoming/outgoing bandwidth	320 Mbps/256 Mbps		
Incoming/outgoing bandwidth (RAID mode)	200 Mbps/200 Mbps		
HDMI1 output	1-ch, 4K (3840 × 2160)/60Hz, 4K (3840 × 2160)/30Hz, 2K (2560 × 1440)/60Hz, 1920 × 1080/60Hz, 1600 × 1200/60Hz, 1280 × 1024/60Hz, 1280 × 720/60Hz, 1024 × 768/60Hz		
HDMI2 output	1-ch, 1920 × 1080/60Hz, 1280 × 1024/60Hz, 1280 × 720/60Hz, 1024 × 768/60Hz,		
VGA1 output	1-ch, 1920 × 1080/60Hz, 1280 × 1024/60Hz, 1280 × 720/60Hz, 1024 × 768/60Hz		
VGA2 output	1-ch, 1920 × 1080/60Hz, 1280 × 1024/60Hz, 1280 × 720/60Hz, 1024 × 768/60Hz		
Video output mode	HDMI1/VGA1 simultaneous output, HDMI2/VGA2 simultaneous output		
CVBS output	N/A		
Audio output	2-ch, RCA (Linear, 1 KΩ)		
Two-way audio input	1-ch, RCA (2.0 Vp-p, 1 KΩ)		
Decoding			
Decoding format	H.265/H.265+/H.264/H.264+/MPEG4		
Recording resolution	32 MP/24 MP/12 MP/8 MP/6 MP/5 MP/4 MP/3 MP/1080p/UXGA/720p/VGA /4CIF/DCIF /2CIF/CIF/QCIF *: 32 MP and 24 MP is only available for channel 1 when ultra HD resolution mode is enabled.		
Synchronous playback	16-ch		
Capability	1-ch@32 MP (30 fps)/16-ch@1080p (30 fps)		
Dual stream recording	Support		
Stream type	Video, Video & Audio		
Audio compression	G.711ulaw/G.711alaw/G.722/G.726/MP2L2		
Network			
Remote connections	128		
Network protocol	TCP/IP, DHCP, IPv4, IPv6, DNS, DDNS, NTP, RTSP, SADP, SMTP, SNMP, NFS, iSCSI, ISUP, UPnP™, HTTP, HTTPS		
Network interface	2, RJ-45 10/100/1000 Mbps self-adaptive Ethernet interface		
RAID			
RAID Type	RAID0, RAID1, RAID5, RAID6, RAID10		
Auxiliary interface			
Serial port	RS-232; RS-485; Keyboard		

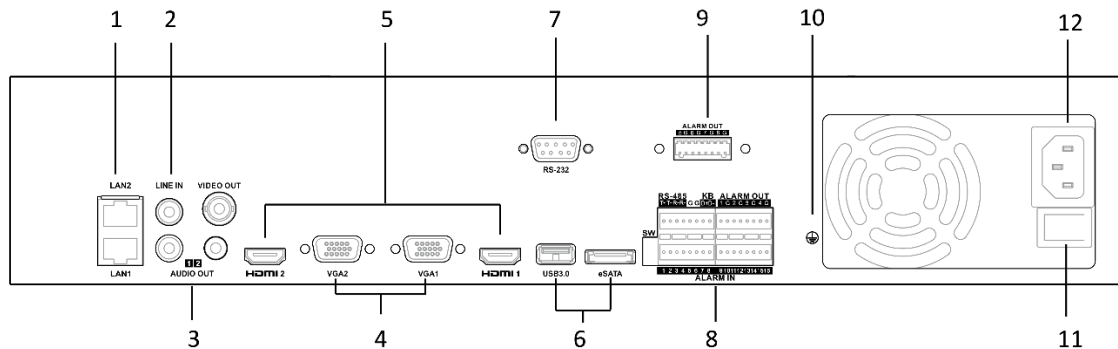
SATA	8 SATA interfaces
Capacity	Up to 10 TB capacity for each disk
eSATA	1 eSATA interface
Alarm in/out	16/8
USB interface	Front panel: 2 × USB 2.0; Rear panel: 1 × USB 3.0
General	
Power supply	100 to 240 VAC, 50 to 60 Hz
Consumption (without HDD)	≤ 70 W
Working temperature	-10 to +55° C (+14 to +131° F)
Working humidity	10% to 90%
Dimension (W × D × H)	445 × 465 × 92 mm (17.5"× 18.3" × 3.6")
Weight (without HDD)	≤ 10 kg (22 lb)
Certification	
Obtained Certification	CE, FCC, UL, CB, WEEE, BIS, IC, RCM, KC, LOA
FCC	Part 15 Subpart B, ANSI C63.4-2014
CE	EN 55032:2015, EN 61000-3-2, EN 61000-3-3, EN 50130-4

Dimension



scale/1:1;Unit/mm

Physical Interface



No.	Description	No.	Description
1	LAN1/LAN2 Interface	7	RS-232 Interface
2	LINE IN	8	ALARM IN/OUT, RS-485, Keyboard
3	AUDIO OUT	9	ALARM OUT
4	VGA1/VGA2 Interface	10	GND
5	HDMI1/HDMI2 Interface	11	Power Switch
6	USB 3.0 and eSATA Interface	12	100 to 240 VAC Power Supply

Available Model

iDS-9616NXI-I8/S (C), iDS-9632NXI-I8/S (C), iDS-9664NXI-I8/S (C)

Distributed by



HIKVISION®

Headquarters

No.555 Qianmo Road, Binjiang District,
Hangzhou 310051, China
T +86-571-8807-5998
overseasbusiness@hikvision.com

Hikvision USA
T +1-909-895-0400
sales.usa@hikvision.com

Hikvision Australia
T +61-2-8599-4233
salesau@hikvision.com

Hikvision India
T +91-22-28469900
sales@pramahikvision.com

Hikvision Canada
T +1-866-200-6690
sales.canada@hikvision.com

Hikvision Thailand
T +662-275-9949
sales.thailand@hikvision.com

Hikvision Europe
T +31-23-5542770
sales.eu@hikvision.com

Hikvision Italy
T +39-0438-6902
info.it@hikvision.com

Hikvision Brazil
T +55 11 3318-0050
Latam.support@hikvision.com

Hikvision Turkey
T +90 [216]521 7070- 7074
sales.tr@hikvision.com

Hikvision Malaysia
T +601-7652-2413
sales.my@hikvision.com

Hikvision UK & Ireland
T +01628-902140
sales.uk@hikvision.com

Hikvision South Africa
Tel: +27 (10) 0351172
sale.africa@hikvision.com

Hikvision France
T +33(0)1-85-330-450
info.fr@hikvision.com

Hikvision Kazakhstan
T +7-727-9730667
nikia.panfilov@hikvision.ru

Hikvision Vietnam
T +84-974270888
sales.vt@hikvision.com

Hikvision UAE
T +971-4-4432090
salesme@hikvision.com

Hikvision Singapore
T +65-6684-4718
sg@hikvision.com

Hikvision Spain
T +34-91-737-16-55
info.es@hikvision.com

Hikvision Tashkent
T +99-87-1238-9438
uzb@hikvision.ru

Hikvision Hong Kong
T +852-2151-1761
info.hk@hikvision.com

Hikvision Russia
T +7-495-669-67-99
saleru@hikvision.com

Hikvision Korea
T +82-(0)31-731-8817
sales.korea@hikvision.com

Hikvision Poland
T +48-22-460-01-50
info.pl@hikvision.com

Hikvision Indonesia
T +62-21-2933759
Sales.Indonesia@hikvision.com

Hikvision Colombia
sales.colombia@hikvision.com

04407202010129