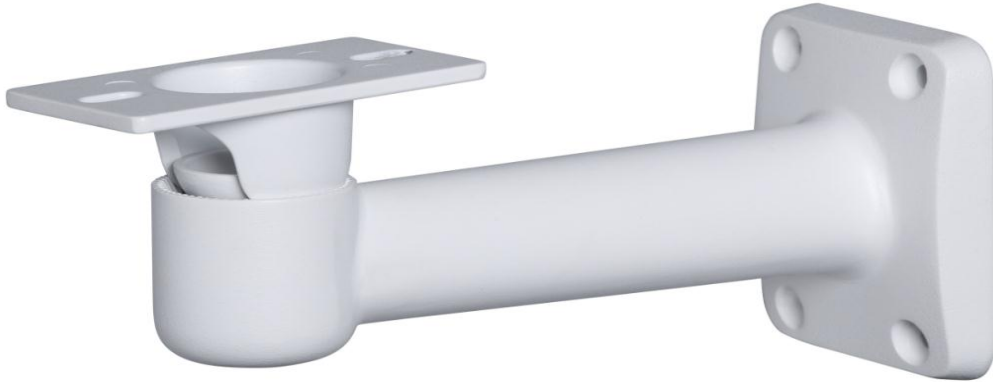


PFB603W

10" Housing Wall Mount Bracket



Features

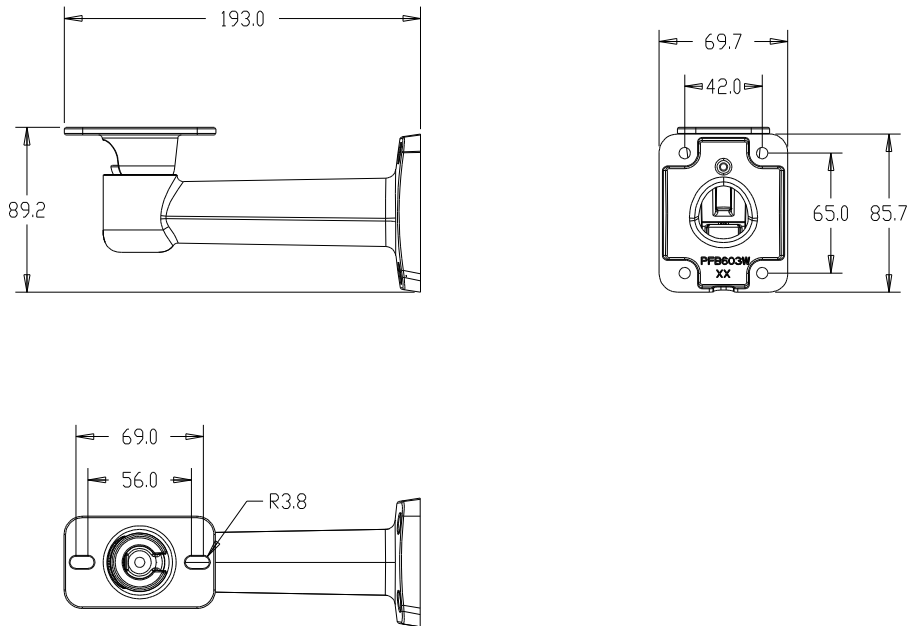
- Material: Aluminum
- Hidden line design
- Neat & Integrated design

Specifications

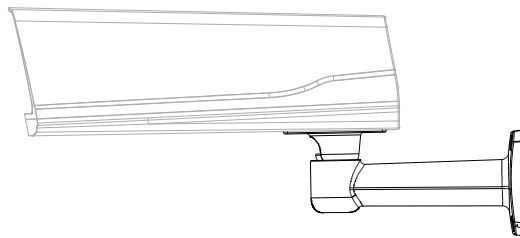
Model	PFB603W
General	
Material	Aluminum
Dimension (W x H x D)	70mm x 90mm x 193mm
Pipe Thread	N/A
Operating Temperature	-40°C ~60°C
Humidity	0~90% RH
Load Bearing	3.0Kg
Weight	0.27Kg
Applicable Model	Please see "Accessory Selection"

PFB603W

Dimensions (mm)



Application



Dahua Technology Co., Ltd.

1199 BinAn Road, Binjiang District, Hangzhou, China

Tel: +86-571-87688883

Fax: +86-571-87688815

Email: overseas@dahuatech.com

www.dahuasecurity.com

*Design and specifications are subject to change without notice.

© 2014 Dahua Technology Co., Ltd.