

# DH-PFB300S

## Wall Mount Bracket



### Features

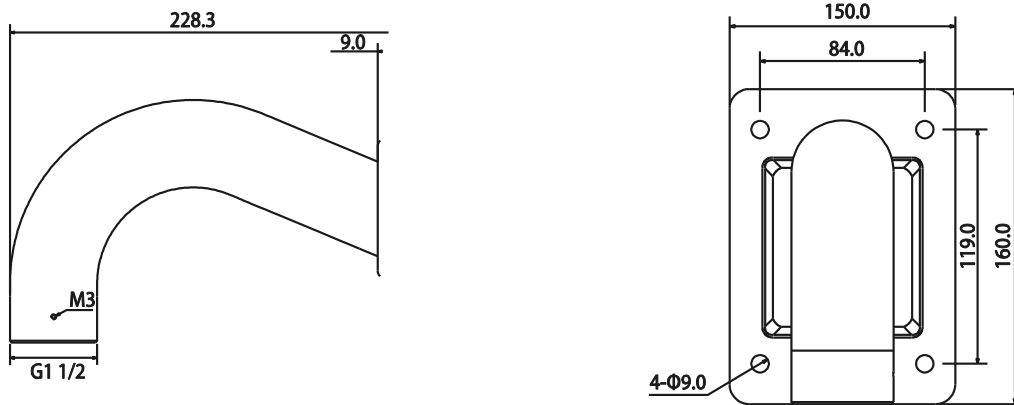
- Material: Aluminum
- Wall Mount Bracket
- Neat & Integrated design

### Specifications

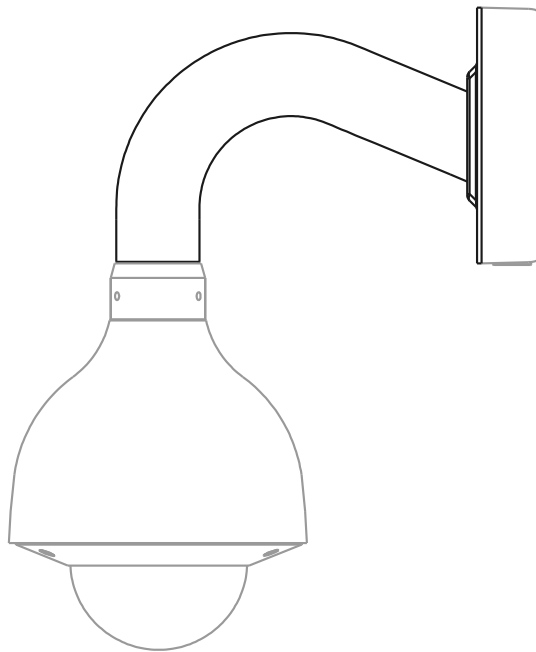
Model	DH-PFB300S
<b>General</b>	
Material	Aluminum
Dimension (W x H x D)	228mm(W) x 150mm(H) x 160mm(D)
Pipe Thread	1 1/2" PF
Operating Temperature	-40°C ~60°C
Humidity	0~90% RH
Load Bearing	3.0Kg
Weight	0.5kg
Applicable Model	PFA100, PFA101, PFA102, PFA110

# DH-PFB300S

## Dimensions (mm)



## Application



\*Design and specifications are subject to change without notice.

© 2013 Dahua Technology Co., Ltd.