

CZ300

CZ300_Explosion-proof Junction Box



- Stainless steel 316L
- Outlet hole specification: M25 × 1.5
- Explosion-proof mark: II 2 G Ex db IIC T6 Gb, II 2 D Ex tb IIIC T80°C Db; Ex db IIC T6 Gb, Ex tb IIIC T80°C Db
- IP68 rated



Scene

The explosion-proof camera is for explosion-proof industrial monitoring. It is mainly used in dangerous environments with explosive gas and dust in the petrochemical industry, such as oil fields, drilling platforms, oil pipelines, oil refineries, chemical plants, explosives warehouses.

Technical Specification

Certification

Certifications	ATEX: II 2 G Ex db IIC T6 Gb, II 2 D Ex tb IIIC T80°C Db IECEX: Ex db IIC T6 Gb, Ex tb IIIC T80°C Db
----------------	---

Environment

Operating Temperature	-40°C to +60°C (-40°F to 140°F)
-----------------------	---------------------------------

Operating Humidity	≤ 95%
--------------------	-------

Protection	IP68
------------	------

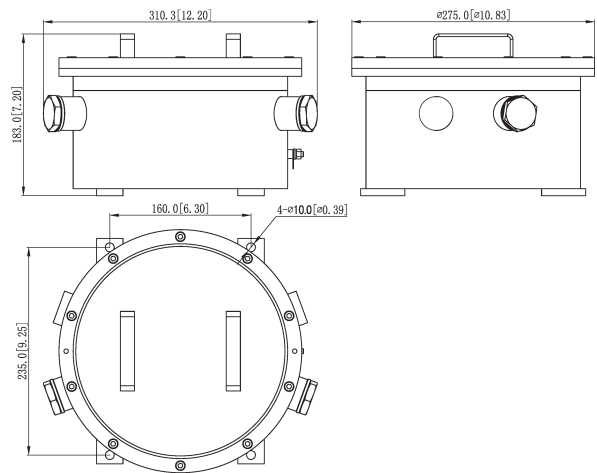
Structure

Casing	SUS316L
Product Dimensions	183 mm × Φ310 mm (7.20" × Φ12.20")
Net Weight	14.7 kg (32.41 lb)
Gross Weight	16.4 kg (36.16 lb)

Ordering Information

Type	Model	Description
Explosion-proof Junction Box	CZ300	CZ300_Explosion-proof Junction Box

Dimensions (mm[inch])



Application

