

## DS-2CD6425G1-XX 2 MP Covert Network Camera



- High quality imaging with 2 MP resolution
- Efficient H.265+ compression technology to save bandwidth and storage
- Clear imaging against strong back light due to 120 dB true WDR technology
- Audio and alarm interface available
- 3D DNR technology delivers clean and sharp images



## ▪ Specification

| Camera                      |   |
|-----------------------------|---|
| Image Sensor                | 1/2.8" Progressive Scan CMOS  |
| Max. Resolution             | 1920 × 1080   |
| Min. Illumination           | Color: 0.002 Lux @ (F1.2, AGC ON)   |
| Shutter Time                | 1/3 s to 1/100,000 s  |
| Lens                        |   |
| Focal Length & FOV          | L10/L20 model:<br>2.8 mm: horizontal FOV: 93.9°, vertical FOV: 51.7°, diagonal FOV: 109.3°<br>3.7 mm: horizontal FOV: 75.5°, vertical FOV: 41.6°, diagonal FOV: 87.3°<br>L30 model:<br>2.8 mm: horizontal FOV: 107.8°, vertical FOV: 57.9°, diagonal FOV: 126.7°<br>4 mm: horizontal FOV: 82.8°, vertical FOV: 45.1°, diagonal FOV: 98° |
| Lens Mount                  | L10/L20: Mini<br>L30: M12   |
| Iris Type                   | Fixed   |
| Aperture                    | L10/L20:<br>2.8 mm: F2.5<br>3.7 mm: F2.5<br>L30:<br>2.8 mm: F2.0<br>4 mm: F2  |
| DORI                        |   |
| DORI                        | L10/L20:<br>2.8 mm: D: 47.9 m, O: 19 m, R: 9.6 m, I: 4.8 m<br>3.7 mm: D: 59.3 m, O: 23.5 m, R: 11.9 m, I: 5.9 m<br>L30:<br>2.8 mm: D: 42.8 m, O: 17 m, R: 8.6 m, I: 4.3 m<br>4 mm: D: 55.2 m, O: 21.9 m, R: 11 m, I: 5.5 m  |
| Video                       |   |
| Main Stream                 | 50 Hz: 25 fps (1920 × 1080, 1280 × 720)<br>60 Hz: 30 fps (1920 × 1080, 1280 × 720)  |
| Sub-Stream                  | 50 Hz: 25 fps (640 × 480, 640 × 360, 320 × 240)<br>60 Hz: 30 fps (640 × 480, 640 × 360, 320 × 240)  |
| Third Stream                | 50 Hz: 1 fps (1920 × 1080, 1280 × 720, 640 × 480, 640 × 360, 320 × 240)<br>60 Hz: 1 fps (1920 × 1080, 1280 × 720, 640 × 480, 640 × 360, 320 × 240)  |
| Video Compression           | Main stream: H.265/H.264<br>Sub-stream: H.265/H.264/MJPEG<br>Third stream: H.265/H.264  |
| H.264 Type                  | Baseline Profile/Main Profile/High Profile  |
| H.265 Type                  | Main Profile  |
| Bit Rate Control            | CVR/BVR   |
| Scalable Video Coding (SVC) | H.264 and H.265 encoding  |
| Region of Interest (ROI)    | Support 1 fixed region for main stream  |
| Audio                       |   |
| Audio Type                  | Mono  |

|                             |   |
|-----------------------------|---|
| Audio Compression           | G.711/G.722.1/G.726/MP2L2/PCM/AAC   |
| Audio Bit Rate              | 64 Kbps (G.711)/16 Kbps (G.722.1)/16 Kbps (G.726)/32 to 192 Kbps (MP2L2)/16 to 64 Kbps (AAC)  |
| Audio Sampling Rate         | 8 kHz/16 kHz/32 kHz   |
| Environment Noise Filtering | Yes   |
| <b>Network</b>              |   |
| Protocols                   | TCP/IP, ICMP, HTTP, HTTPS, FTP, DHCP, DNS, DDNS, RTP, RTSP, RTCP, NTP, UPnP, SMTP, SNMP, IGMP, 802.1X, QoS, IPv6, UDP, Bonjour, SSL/TLS   |
| Simultaneous Live View      | Up to 15 channels   |
| API                         | Open Network Video Interface, ISAPI, SDK, ISUP 5.0  |
| User/Host                   | Up to 32 users<br>3 level: administrator, operator, and user  |
| Network Storage             | NAS (NFS, SMB/CIFS)   |
| Client                      | iVMS-4200, Hik-Connect  |
| Web Browser                 | Plug-in required live view: IE10, IE11<br>Plug-in free live view: Chrome 57.0+, Firefox 52.0+<br>Local service: Chrome 57.0+, Firefox 52.0+   |
| <b>Image</b>                |   |
| Image Parameters Switch     | Yes   |
| Image Settings              | Saturation, brightness, contrast, and sharpness adjustable by client software or web browser  |
| Day/Night Switch            | Day, Night, Auto, Schedule  |
| Wide Dynamic Range (WDR)    | 120 dB  |
| Image Enhancement           | BLC, HLC, defog, 3D DNR   |
| Privacy Mask                | Yes   |
| <b>Interface</b>            |   |
| Ethernet Interface          | 1 RJ45 10 M/100 M self-adaptive Ethernet port   |
| On-Board Storage            | Built-in memory card slot, support MicroSD/MicroSDHC/MicroSDXC card, up to 256 GB   |
| Audio                       | 1 input (line in), 1 output (line out)  |
| Alarm                       | 1 input, 1 output (max. 12 VDC, 30 mA)  |
| RS-485                      | 1 RS-485 (half duplex, HIKVISION, Pelco-P, Pelco-D, self-adaptive)  |
| Reset Key                   | Yes   |
| <b>Event</b>                |   |
| Basic Event                 | Motion detection, video tampering alarm, exception (HDD full, HDD error, network disconnected), video quality diagnosis   |
| Smart Event                 | Intrusion detection, line crossing detection, region entrance detection, region exiting detection, unattended baggage detection, object removal detection<br>Audio exception detection, defocus detection, scene change detection |
| Linkage                     | Upload to FTP/NAS/memory card, notify surveillance center, send email, trigger recording, trigger capture, audible warning  |
| <b>General</b>              |   |
| Power                       | 12 VDC $\pm$ 20%, 0.25 A, max. 3 W, two-core terminal block<br>PoE: 802.3af, Type 1, Class 3, 36 V to 57 V, 0.1 A to 0.07A, max. 3.65 W   |

|                                  |  |
|----------------------------------|--|
| Dimension                        | Main body: 77.5 mm × 69 mm × 26 mm (3.1" × 2.7" × 1.0")<br>L10: Ø26 mm × 40 mm (Ø1.0" × 1.6")<br>L20: 37 mm × 26 mm × 25 mm (1.5" × 1.0" × 1.0")<br>L30: Ø26 mm × 50 mm (Ø1.0" × 2.0")   |
| Package Dimension                | Kit/Main body: 254 mm × 164 mm × 130 mm (10" × 6.5" × 5.1")<br>Camera: 219 mm × 139 mm × 100 mm (8.6" × 5.5" × 3.9")   |
| Weight                           | Main body: approx. 90 g (0.2 lb.)<br>Camera: approx. 90 g (0.2 lb.)  |
| With Package Weight              | Main body: approx. 456 g (1.0 lb.)<br>Package (with 8 m cable): approx. 991 g (2.2 lb.)<br>Package (with 2 m cable): approx. 776 g (1.7 lb.)<br>Camera (with 8 m cable): approx. 676 g (1.5 lb.)<br>Camera (with 2 m cable): approx. 451 g (1.0 lb.) |
| Storage Conditions               | -30 °C to 60 °C (-22 °F to 140 °F). Humidity 95% or less (non-condensing)  |
| Startup and Operating Conditions | -30 °C to 60 °C (-22 °F to 140 °F). Humidity 95% or less (non-condensing)  |
| Language                         | 18 languages: English, Traditional Chinese, Russian, Turkish, Japanese, Korean, Thai, Vietnamese, Estonian, Bulgarian, Hungarian, Czech, Slovak, French, Italian, German, Spanish, Portuguese  |
| General Function                 | One-key reset, heartbeat, mirror, password protection, privacy mask, rotate, watermark, IP address filter  |
| Length of Lens Cable             | 2 m (6.6 ft.) and 8 m (26.2 ft.) optional  |
| <b>Approval</b>                  |  |
| EMC                              | FCC (47 CFR Part 15, Subpart B);<br>CE-EMC (EN 55032: 2015, EN 61000-3-2:2019, EEN 61000-3-3:2013+A1:2019, EN 50130-4: 2011+A1: 2014);<br>RCM (AS/NZS CISPR 32: 2015);<br>IC (ICES-003: Issue 7);<br>KC (KN 32: 2015, KN 35: 2015)                   |
| Safety                           | UL (UL 62368-1);<br>CB (IEC 62368-1:2014+A11);<br>CE-LVD (EN 62368-1:2014/A11:2017);<br>BIS (IS 13252(Part 1):2010/ IEC 60950-1 : 2005);<br>LOA (IEC/EN 60950-1)   |
| Environment                      | CE-RoHS (2011/65/EU);<br>WEEE (2012/19/EU);<br>Reach (Regulation (EC) No 1907/2006)  |

### ▪ Available Model

- DS-2CD6425G1-10(3.7mm) 2/8 m
- DS-2CD6425G1-20(2.8/3.7 mm) 2/8 m
- DS-2CD6425G1-30(2.8/4 mm) 2/8 m
- DS-2CD6425G1-C1

▪ **Typical Application**

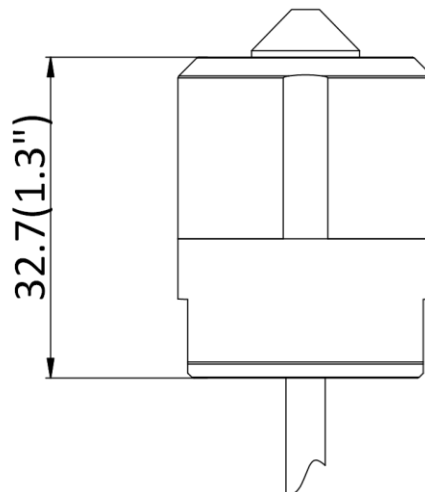
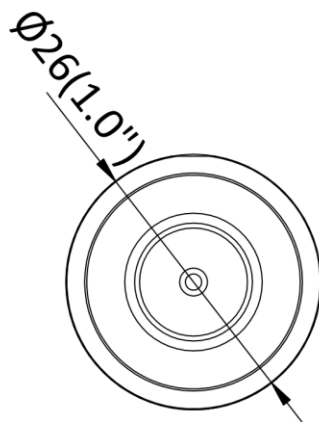
Hikvision products are classified into three levels according to their anti-corrosion performance. Refer to the following description to choose for your using environment.

This model has NO SPECIFIC PROTECTION.

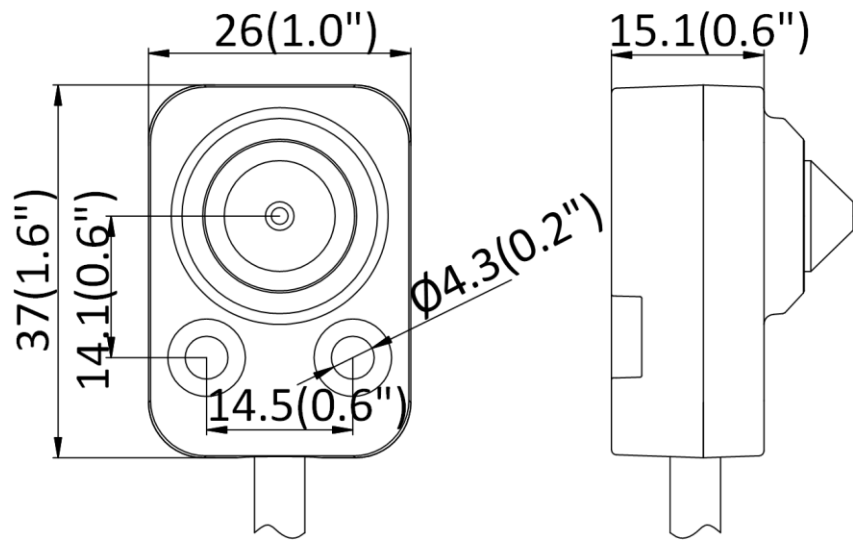
| Level                  | Description  |
|------------------------|--|
| Top-level protection   | Hikvision products at this level are equipped for use in areas where professional anti-corrosion protection is a must. Typical application scenarios include coastlines, docks, chemical plants, and more.   |
| Moderate protection    | Hikvision products at this level are equipped for use in areas with moderate anti-corrosion demands. Typical application scenarios include coastal areas about 2 kilometers (1.24 miles) away from coastlines, as well as areas affected by acid rain. |
| No specific protection | Hikvision products at this level are equipped for use in areas where no specific anti-corrosion protection is needed.  |

▪ **Dimension**

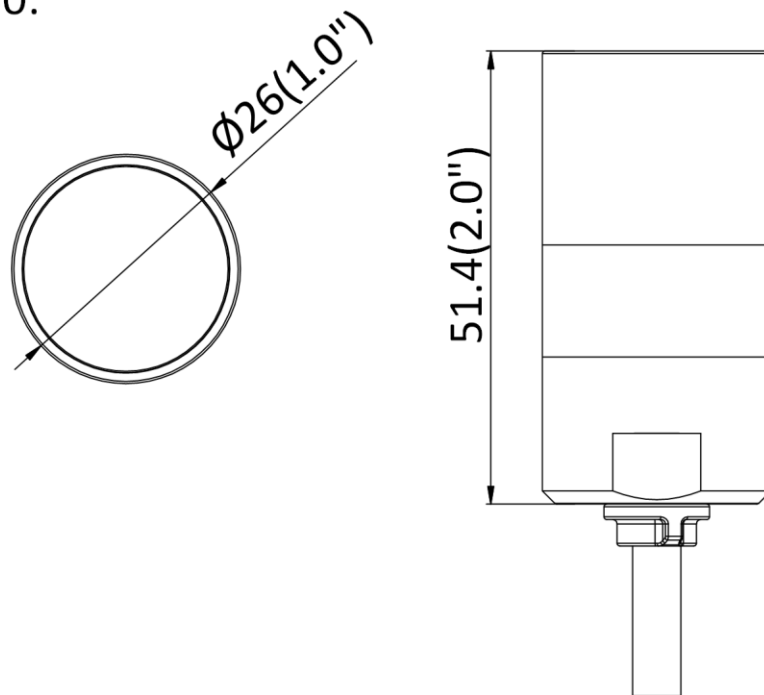
L10:



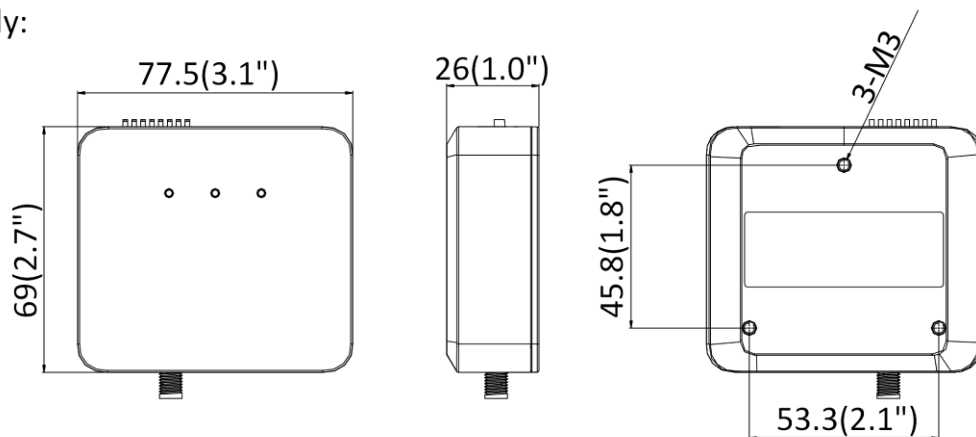
L20:



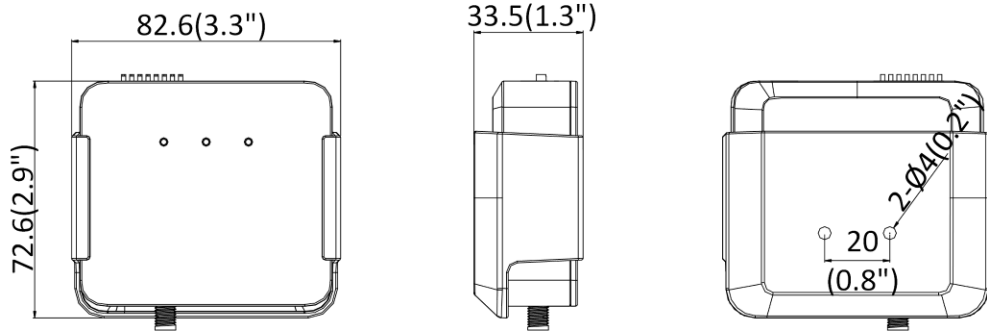
L30:



Main Body:



Main Body with Bracket:



Unit: mm (inch)

Distributed by

**HIKVISION®****Headquarters**

No.555 Qianmo Road, Binjiang District,  
Hangzhou 310051, China  
T +86-571-8807-5998  
overseasbusiness@hikvision.com

**Hikvision USA**  
T +1-909-895-0400  
sales.usa@hikvision.com

**Hikvision Australia**  
T +61-2-8599-4233  
salesau@hikvision.com

**Hikvision India**  
T +91-22-28469900  
sales@pramahikvision.com

**Hikvision Canada**  
T +1-866-200-6690  
sales.canada@hikvision.com

**Hikvision Thailand**  
T +662-275-9949  
sales.thailand@hikvision.com

**Hikvision Europe**  
T +31-23-5542770  
sales.eu@hikvision.com

**Hikvision Italy**  
T +39-0438-6902  
info.it@hikvision.com

**Hikvision Brazil**  
T +55 11 3318-0050  
Latam.support@hikvision.com

**Hikvision Turkey**  
T +90 (216)521 7070- 7074  
sales.tr@hikvision.com

**Hikvision Malaysia**  
T +601-7652-2413  
sales.my@hikvision.com

**Hikvision UK & Ireland**  
T +01628-902140  
sales.uk@hikvision.com

**Hikvision South Africa**  
Tel: +27 (10) 0351172  
sale.africa@hikvision.com

**Hikvision France**  
T +33(0)1-85-330-450  
info.fr@hikvision.com

**Hikvision Kazakhstan**  
T +7-727-9730667  
nikia.panfilov@hikvision.ru

**Hikvision Vietnam**  
T +84-974270888  
sales.vt@hikvision.com

**Hikvision UAE**  
T +971-4-4432090  
salesme@hikvision.com

**Hikvision Singapore**  
T +65-6684-4718  
sg@hikvision.com

**Hikvision Spain**  
T +34-91-737-16-55  
info.es@hikvision.com

**Hikvision Tashkent**  
T +99-87-1238-9438  
uzb@hikvision.ru

**Hikvision Hong Kong**  
T +852-2151-1761  
info.hk@hikvision.com

**Hikvision Russia**  
T +7-495-669-67-99  
saleru@hikvision.com

**Hikvision Korea**  
T +82-(0)31-731-8817  
sales.korea@hikvision.com

**Hikvision Poland**  
T +48-22-460-01-50  
info.pl@hikvision.com

**Hikvision Indonesia**  
T +62-21-2933759  
Sales.Indonesia@hikvision.com

**Hikvision Colombia**  
sales.colombia@hikvision.com